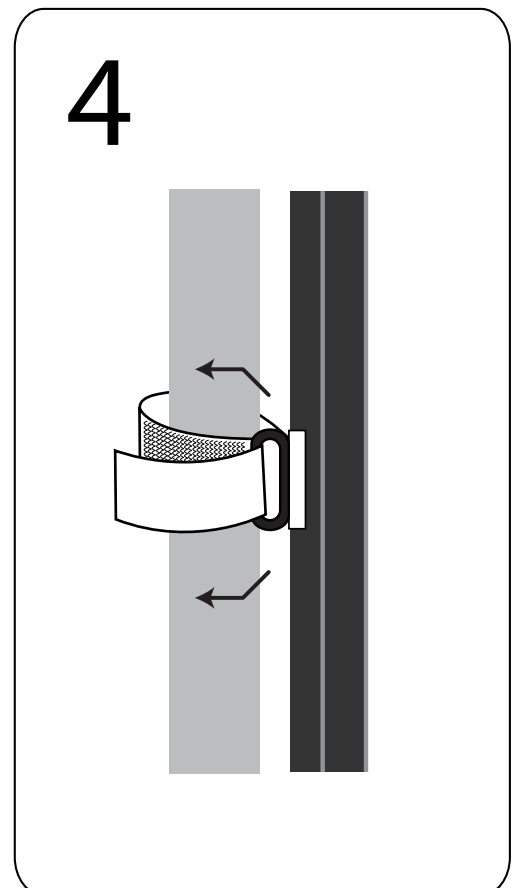
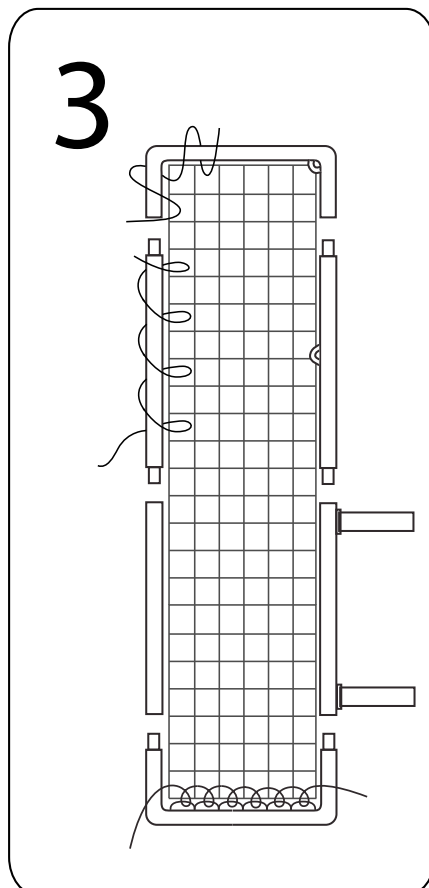
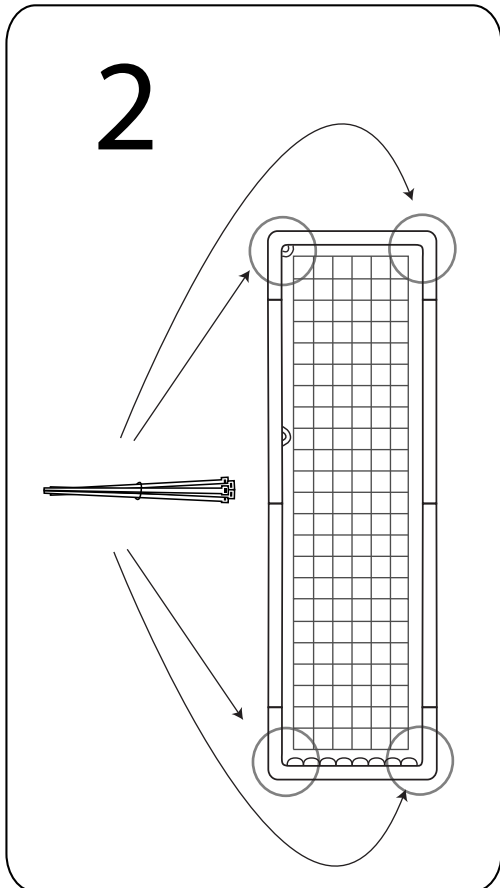
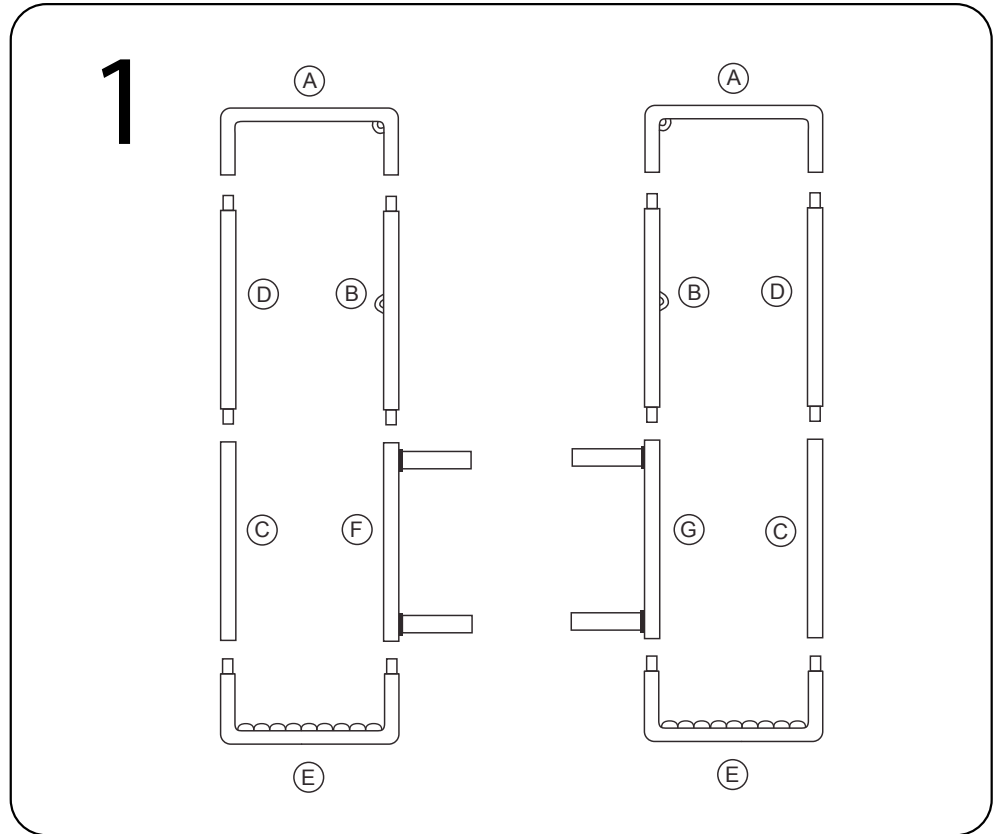




Instructions to Build: The Backstop (Sides)

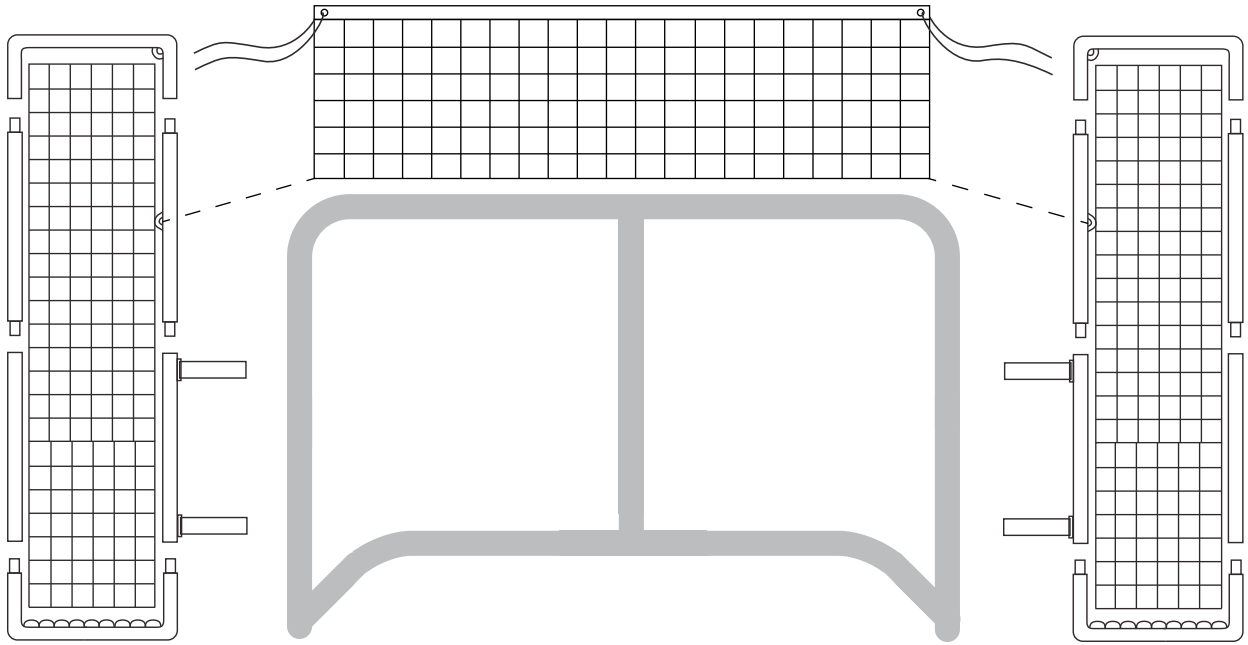
PART NO.	SKETCH	QTY
(A)		2
(B)		2
(C)		2
(D)		2
(E)		2
(F)		1
(G)		1
(1)		2
(2)	14'	5
(3)	2'	2
(4)		1





Instructions to Build: The Backstop (Top)

5



PART NO.	SKETCH	QTY
⑤		1

NOTE: 2 of the 14' Strings are required to fasten the top net to the goal and side stops (See diagram to left)

